

MultiLine Classic 55•21/72•28



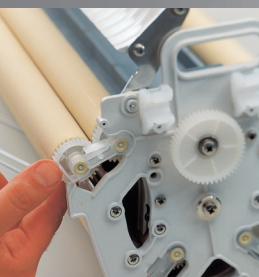
Closed stand is an optional accessory

Great value for the money

MultiLine Classic is an economically priced and pre-configured basic version of the highly proven and reliable Glunz & Jensen MultiLine family series film processors. MultiLine Classic provides you with basically everything you need for processing film and polyester plates providing you with great performance without compromising on quality. More than 25,000 MultiLine series film processors have already been sold worldwide.

MultiLine Classic develops all rapid access and hard dot imagesetting and camera films, daylight contact and duplicating films and polyester plates (special optional kit required). The computer-controlled operator's panel is conveniently located and simple to operate. Lightweight rack modules provide quality processing and high productivity while offering low cost operation and fast, easy maintenance.

MultiLine Classic fully complies with CE standards and UL, c-UL specifications. The processor is designed, manufactured and tested according to Glunz & Jensen's certified Quality Management System meeting DS/EN ISO 9001 standards.



Practical snap-lock bearings eliminate the need for special tools when removing rollers for faster and easier maintenance.



Rack-mounted modules make it easy to disassemble a machine for maintenance.



The detachable control panel contains the most commonly used functions as low-level, deviation of temperature and wait signal.



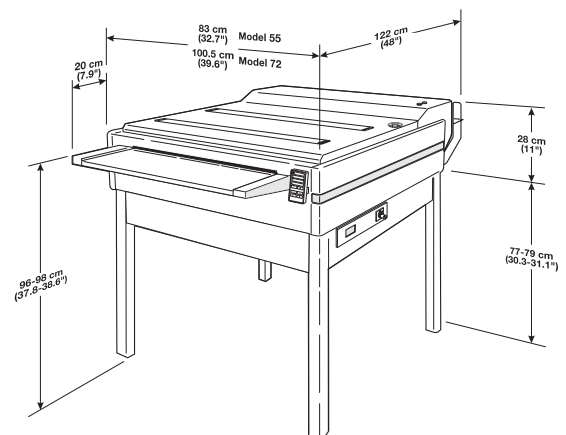
Daylight cassette box is standard for stand-alone operation in UL-version (feed table is standard for the CE-version)

Technical specifications for MultiLine Classic 55•21/72•28

- **Quick and easy installation** - all parts needed for installation are included
- **Reliable design** - proven materials and dependable construction
- **Easy routine maintenance** - racks and most parts are removable without tools
- **Great value for the money** - quality at an attractive price

Technical specifications	MultiLine 55•21/72•28
Processor capacity	100 cm (39.4") / min. at 20 sec. dev. time
Dry-to-dry time	80 sec. at 20 sec. dev. time
Materials	Rapid access film, imagesetting and hard dot film, daylight film, repro film, polyester plate (special kit required)
Material width	7 cm (2.8") - 55 cm (21.6") / 72 cm (28.3")
Material length	12 cm (4.7") - 30 m (9.8')
Material thickness	0.08 mm (0.003") - 0.20 mm (0.008") (film and polyester plates)
Developing time	15 sec. - 60 sec.
Tank contents, dev/fix/wash	MultiLine Classic 55: 15.5 l (4.1 US gal.) / 15.5 l (4.1 US gal.) / 14 l (3.7 US gal.) MultiLine Classic 72: 18.5 l (4.9 US gal.) / 18.5 l (4.9 US gal.) / 17 l (4.5 US gal.)
Adjustable temperature, dev	20 - 40° C (68 - 104° F)
Adjustable temperature, fix	20 - 40° C (68 - 104° F)
Adjustable temperature, dry	20 - 70° C (68 - 158° F)
Water consumption	1.65 - 3.3 l (0.4 - 0.9 US gal.) / min. in operation mode
Inside dimensions for optional daylight cassette box	W = 62.5 cm (24.6") / 79.5 cm (31.3"), D = 19.5 cm (7.7"), H = 19.5 cm (7.7")
Power consumption	Max. 5500 Watt at 230 V
Approvals	Complies with CE standards UL, c-UL certified
Standard equipment	Daylight and Rewash feeding slots, Daylight cassette box (UL-version only), Feed table (CE-version only), Open stand, Power cord, Drip tray, 2x7.5 US gal. replenishment containers (UL-version only), Spare parts box, Installation kit, Service manual, User manual
Optional accessories	Daylight cassette box (CE-version), Trolley, Closed stand, MultiClean Dev. filter, Polyester plate

Specifications are subject to changes without prior notice.



GLUNZ & JENSEN

Headquarters:
Glunz & Jensen A/S
Haslevvej 13
DK-4100 Ringsted
Denmark
Tel. +45 57 68 81 81
Fax +45 57 68 83 40
E-mail: gjhq@glunz-jensen.com
Internet: www.glunz-jensen.com

USA Operations:
Glunz & Jensen, Inc.
21405 Business Court
Elkwood, VA 22718-1757
USA
Tel. +1 540 825-7300
Fax +1 540 825-7525
E-mail: usva@glunz-jensen.com