

**O**ne<sup>™</sup>

Lifetime Ctp

## Features

- Only one frame
- IDU, Interchangeable Drum Unit
- ILH, Interchangeable Laser Head
- Premium Quality
- High Flexibility
- Total upgradeability:  
drumsize, laser head, automation
- Low cost of maintenance



## Features

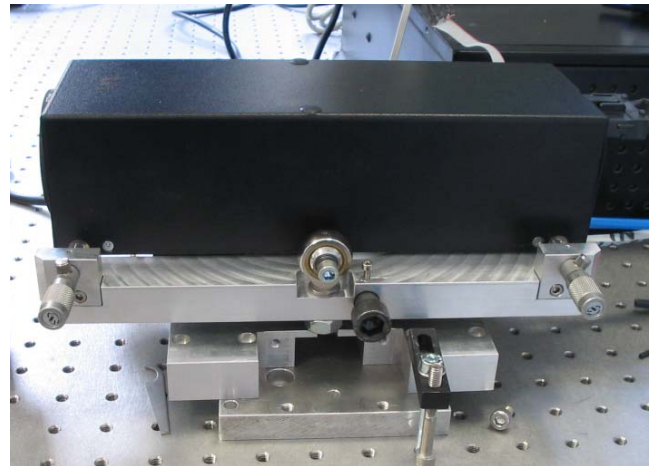
- Ready to use
- Easy to use
- Pre-punched plates
- On-line customized punching in fully automatic version
- 2-8 cassettes Plate Manager with on-line paper removal



## Technology

### ILH<sup>™</sup>

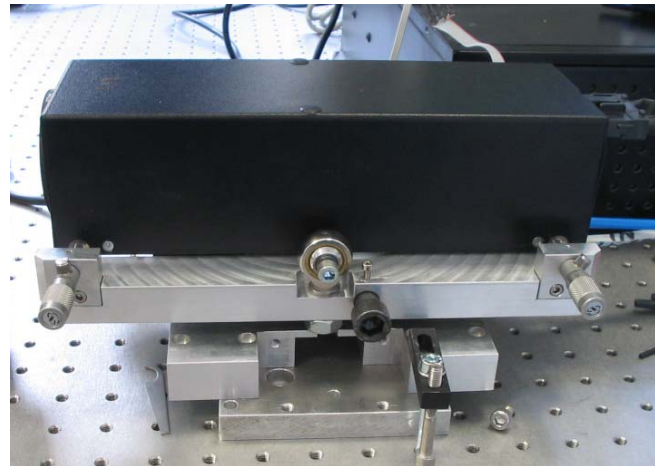
- Interchangeable Laser Head
- Easy of exchange
- Universal Electronics
- Configurable



## ILH

### Thermal

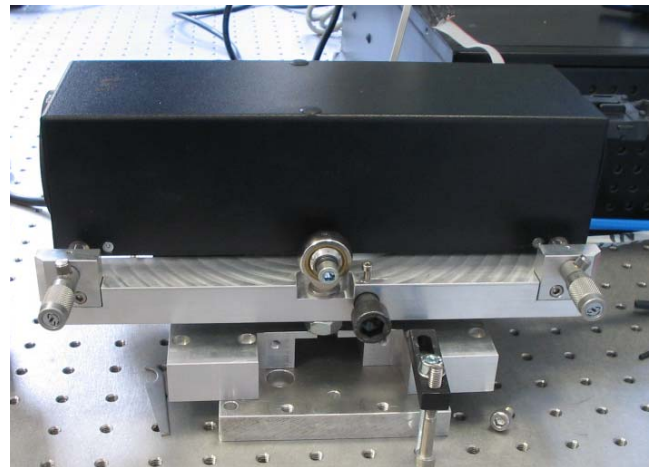
- Monolithic single mode laser array
- 808 nm
- High reliability



## ILH

### Violet

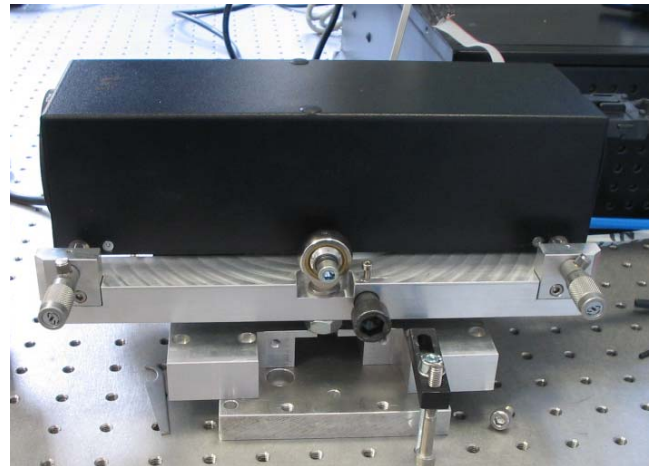
- Single violet laser
- 405 nm
- Opto Acoustic technology



## ILH

## UV

- **First UV laser system, third harmonic generation**
- **355 nm**
- **Opto Acoustic technology**



## Technology

### IDU<sup>™</sup>

- Interchangeable Drum Unit
- Steel manufactured drum
- High performances
- Pin system
- Up to 1000 rpm





## IDU

### Bars System

- **Special light material**
- **High resistance**
- **Steel covered magnets**
- **Pneumatic system**



## IDU

### Autobalancing System

- **Automatic balancement**
- **Simple and resistant**
- **Pneumatic system**
- **Oscillations control**



# Technology

## Remote Control

- Laser calibration
- Productivity analysis
- Errors and Warnings analysis
- Sensors and Engine monitoring

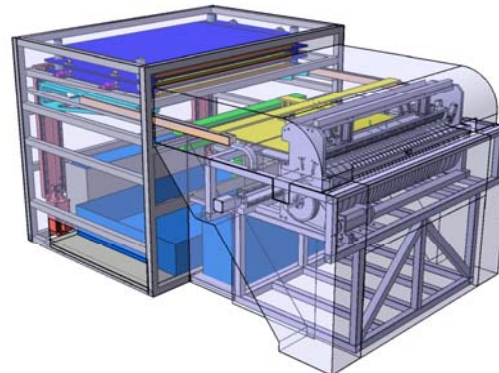
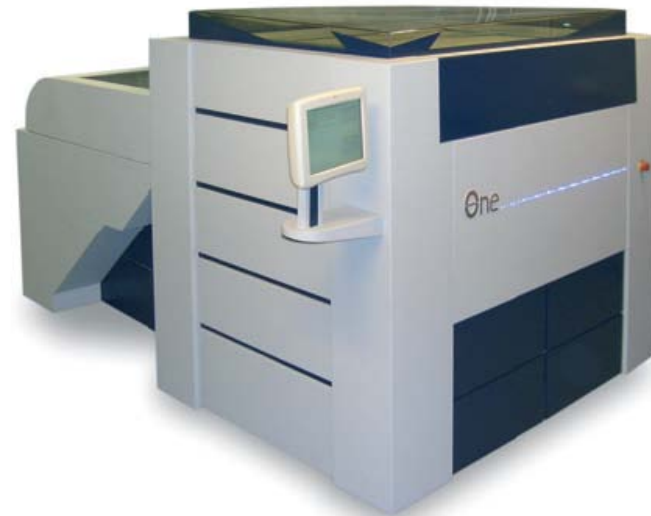
The screenshot displays the TECS software interface, which is organized into several sections:

- Temperature:** Includes input fields for VT1, VT2, T1, T2, and a Mean field, each with associated units (V or °C).
- Photodiode Settings:** Features fields for IP Address (192.168.1.212) and Port (8010), along with a Save button.
- T1 Calibration:** Contains calibration data for C0 (22 °C), C1 (34 °C), V0 (2.44576 V), and V1 (3.06207 V), with Copy buttons for the voltage values and a Save button.
- T2 Calibration:** Contains calibration data for C0 (20.4 °C), C1 (34 °C), V0 (3.37044 V), and V1 (4.39833 V), with Copy buttons for the voltage values and a Save button.
- Controls:** Includes checkboxes for Write to DB and Read Continuously.

## Technology

### Tower™

- Simple and easy to install
- On site upgradeable
- 2/8 cassettes on-line
- 150 plates max per cassette
- On-line customized punching system
- On-line paper removal



## Warranty

Ctp

- 1 Year
- Spare part kit

ILH

- 3 Years or 5.000 work/hours
- Free maintenance

One	One 540	One 750	One 1100
Drum Architecture	One IDU, external	One IDU, external	One IDU, external
Laser Head	One ILH, Violet, Thermal, UV (May 2008)	One ILH, Violet, Thermal, UV (May 2008)	One ILH, Violet, Thermal, UV (May 2008)
Laser Technologies	V – Violet T – Thermal UV - Conventional	V – Violet T – Thermal UV - Conventional	V – Violet T – Thermal UV - Conventional
Max. Plate size	504 x 540 mm	659 x 750 mm	850 x 1050 mm
Min. Plate size	250 x 200 mm	250 x 200 mm	250 x 200 mm
Plate tickness	0,15 > 0,40 mm	0,15 > 0,40 mm	0,15 > 0,40 mm
Resolution	2 540 dpi	2 540 dpi	2 540 dpi
Productivity (Media depending)	V = min. 20 p/h T = min. 28 p/h	V = min. 14 p/h T = min. 20 p/h	V = min. 12 p/h T = min. 15 p/h
Cassettes (2-3 Cassettes)	Optional	Optional	Optional
Cassette upgrade (8 Cassettes)	Optional	Optional	Optional
Pin system	Standard	Standard	Standard
Customized Punching system	Optional	Optional	Optional
Conveyor	Optional	Optional	Optional
Stacker	Optional	Optional	Optional
On-line Processor	Optional	Optional	Optional